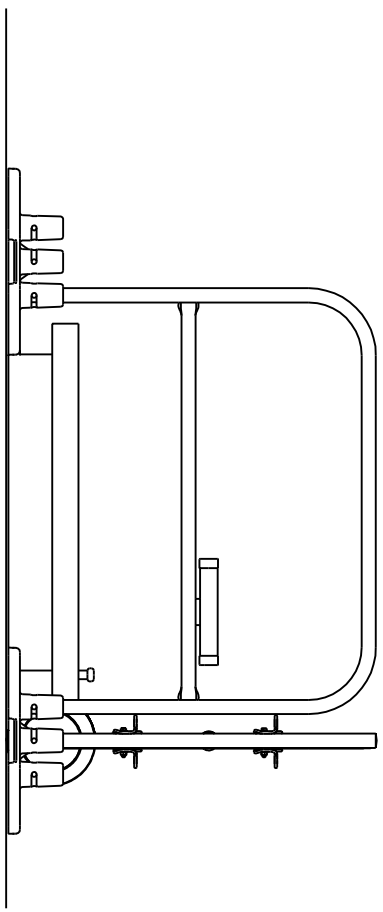
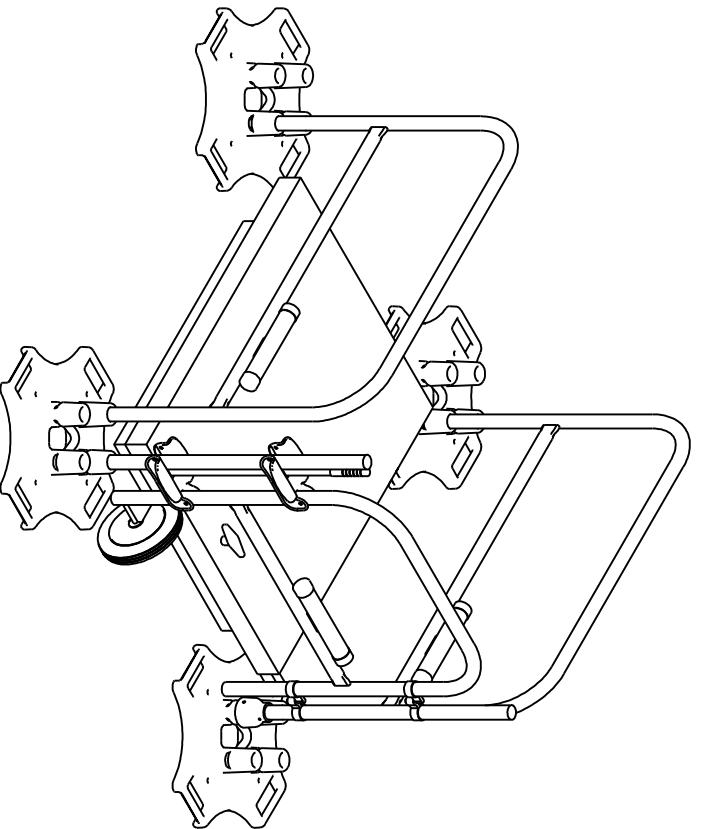
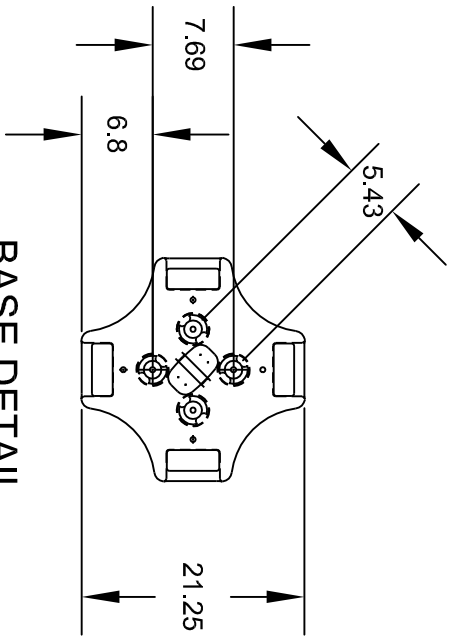


TOP VIEW



SIDE VIEW



BASE DETAIL

KIT WILL FIT THE FOLLOWING  
 ROOF HATCH SIZES:  
 30 x 30  
 30 x 36

**BlueWater Mfg.**

P.O. Box 203  
 7914 Kerber Blvd.  
 Chanhasseen, MN 55317

Tel: 952-926-0515  
 Toll Free: 866-898-5237  
 Fax: 952-926-0518  
 info@bluewater-mfg.com  
 www.safetyrail2000.com

**Roof Hatch  
 Safety Rail Kit**

Dwg No. 500040 Rev. B Sheet 1/1