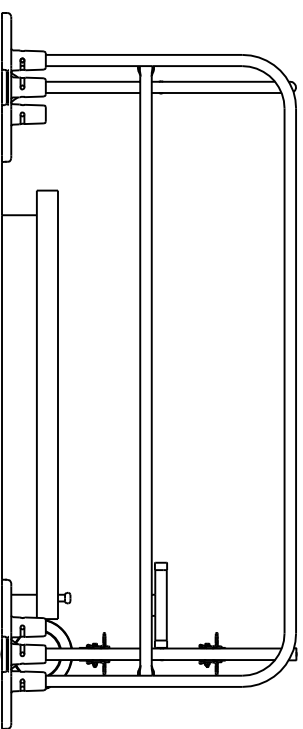
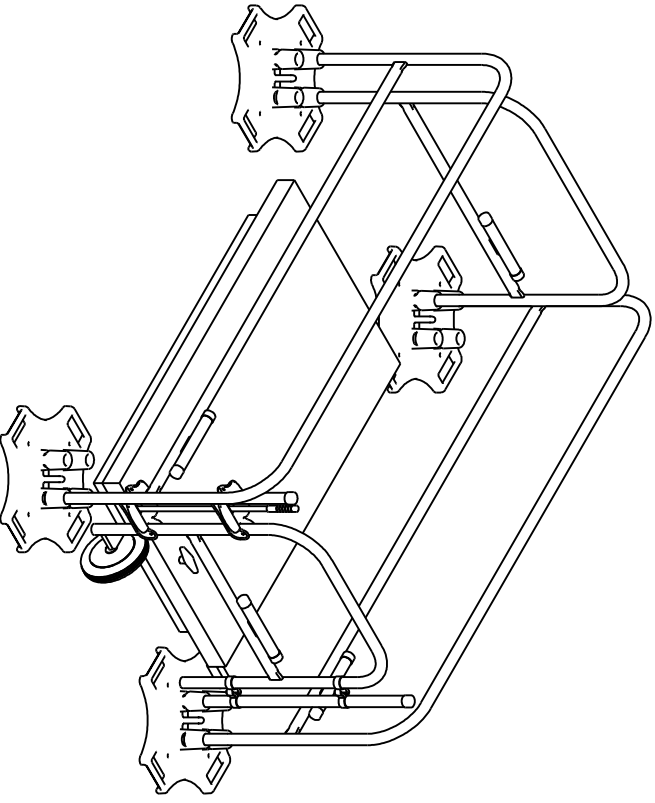
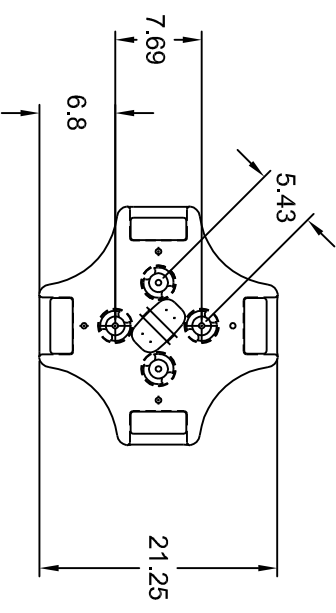


TOP VIEW



SIDE VIEW



BASE DETAIL

KIT WILL FIT THE FOLLOWING
 STAIRWAY HATCHES:
 30 X 54
 30 X 60

BlueWater Mfg.
 P.O. Box 203
 7914 Kerber Blvd.
 Chanhassen, MN 55317

Tel: 952-926-0515
 Toll Free: 866-898-5237
 Fax: 952-926-0518
 info@bluewater-mfg.com
 www.safetyrail2000.com

**Stairway Hatch
 Safety Rail Kit**

Dwg No. 500047 Rev. B Sheet 1/1