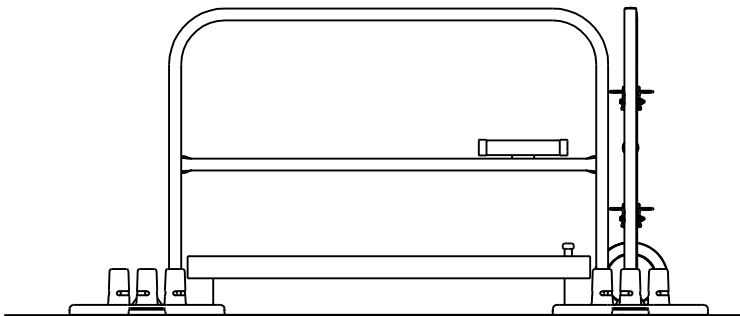
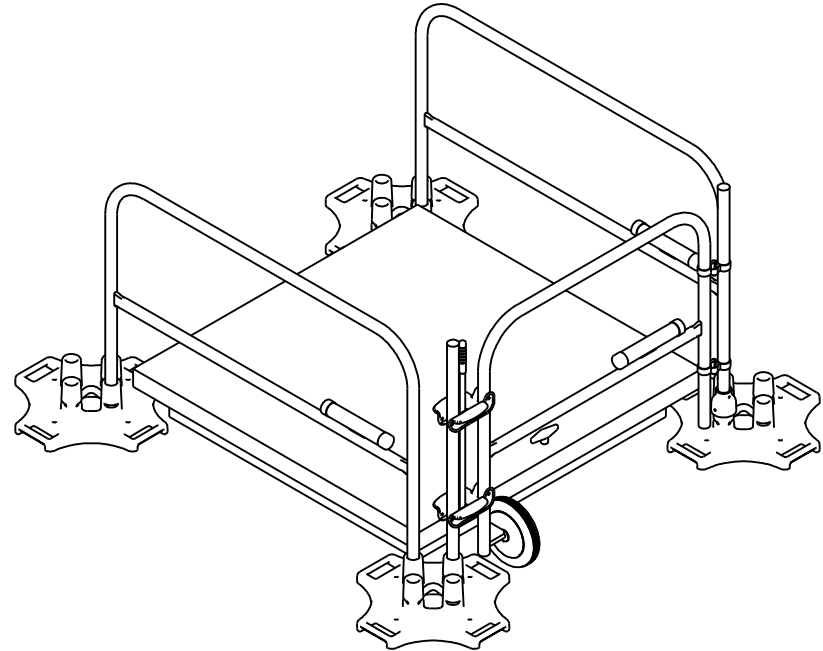
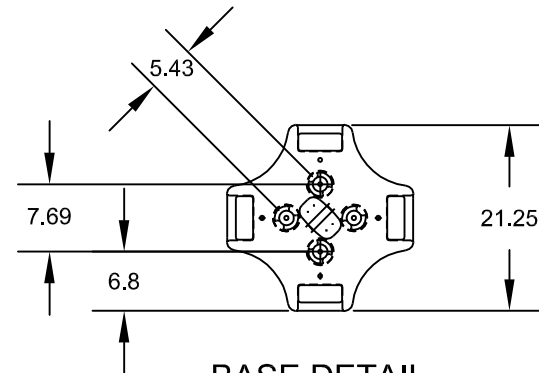


TOP VIEW



SIDE VIEW



BASE DETAIL

BlueWater Mfg.
 P.O.Box 203
 7914 Kerber Blvd.
 Chanhassen, MN 55317

Tel: 952-926-0515
 Toll Free: 866-898-5237
 Fax: 952-926-0518
 info@bluewater-mfg.com
 www.safetyrail2000.com

Roof Hatch Safety Rail Kit

Dwg No.	Rev.	Sheet
500102	B	1/1